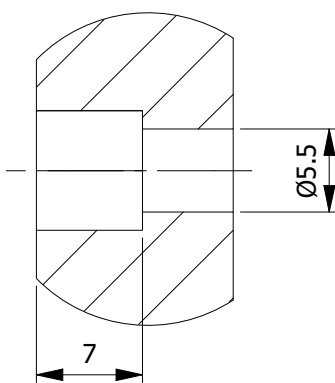
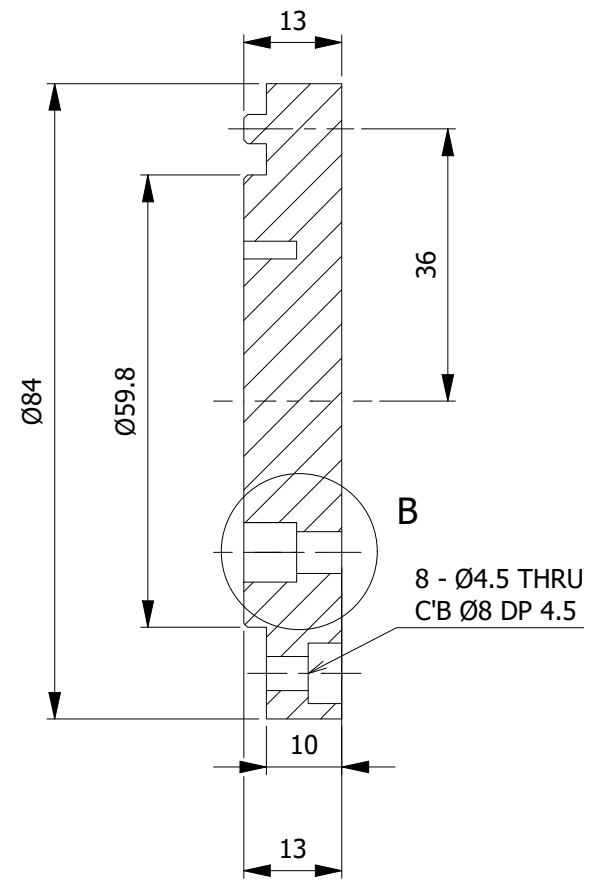


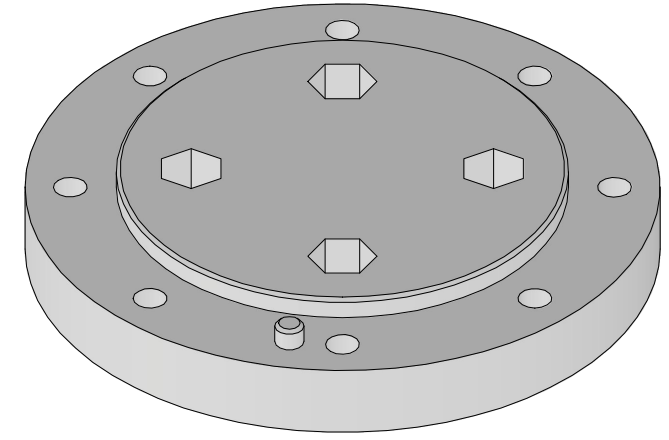
A (2 : 1)



B (2 : 1)



A-A (1 : 1)



뉴로메카 Indy7 (1 : 1)

- Note
1. HEX NUT M5 x 0.8 : 4EA
 2. Hex Socket Head Cap Screw M4 : 8EA

			Havestance	
Author	Name	Date	뉴로메카 Indy7 Flange	
Checked	Havestance	2022-02-04		
Approved				
			1 / 1	
			A3	