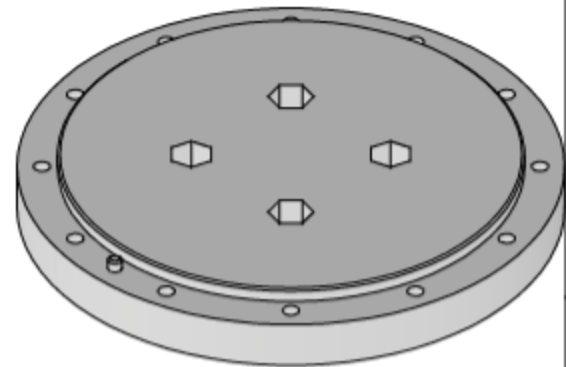
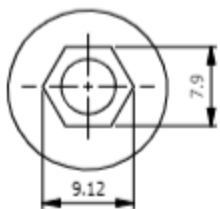


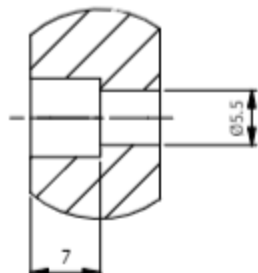
A-A (1 : 1)



Indy12 (1 : 1)



A (2 : 1)



B (2 : 1)

Note

1. HEX NUT M5 x 0.8 : 4EA
2. Hex Socket Head Cap Screw M3 : 12EA

		Havestance	
Name	Date		
Author	Havestance	2022-05-04	
Checked			
Approved			
		Indy12 Flange	
		1 / 1	
		12	